

Taylorcraft-90

Assemble manual



Wing Span:87.4in/2222mm;	Flying Weight:3000g;
Wing Area:69.2sq. dm;	Radio:6Channels 4Servos;
Length:56.4in/1433mm;	Outer Runner Brushless Motor:5065

CAUTION : this plane is not a toy!

Before use , please carefully read this manual.

●First-time builders should seek advice from people having building experience in order to assemble the model correctly and to produce its performance to full extent .

●Assemble this kit only in places out of children's reach!

●Take enough safety precautions prior to operating this model.

You are responsible for this model's assembly and safe operation!

●Always keep this instruction manual ready at hand for quick reference,even after completing the assembly.



MAIN WINGS



Cut away covering film for the servo.



Install the servo to the servo cover.



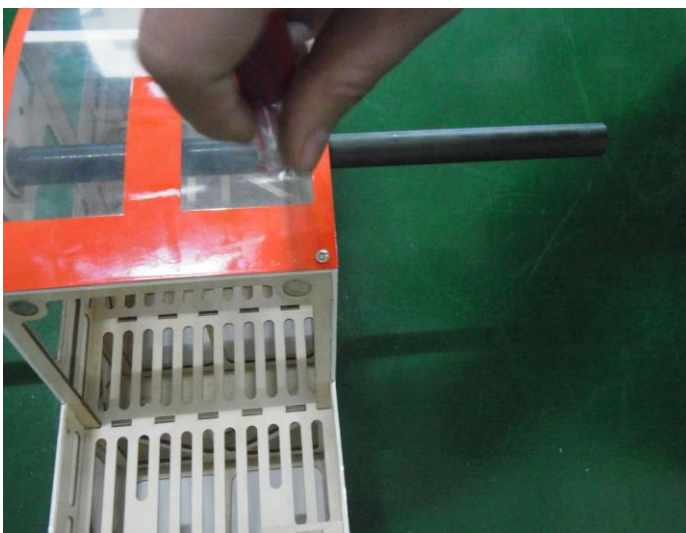
Put the servo cover in the right position, then fixup it.



Install the servo cover to the bottom of the wings, and Assemble aileron, servo arm and pushrod.



Insert the main wings with joiner, then screw them by nylon screws.

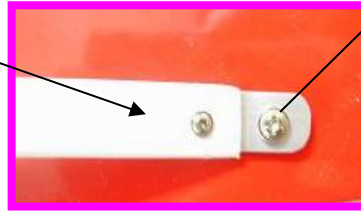


Assemble the plastic cover by screws on the top of the wings.



Install the wing supports with screws.

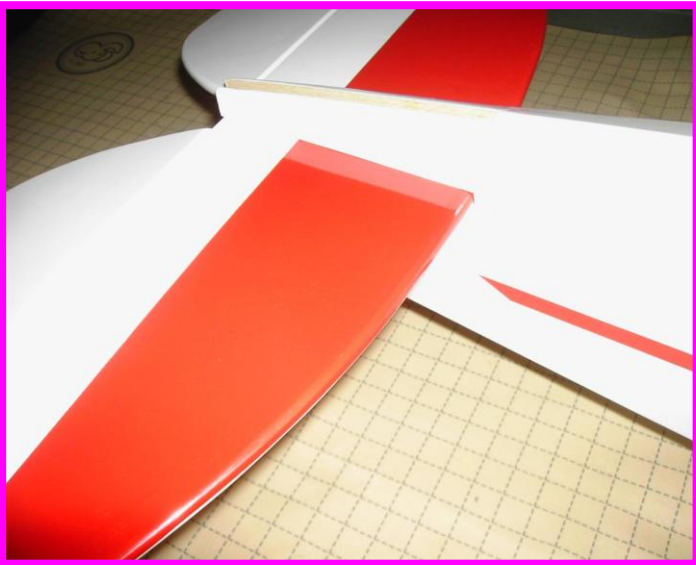
Make sure they are in right positions.



3mm

The blind nuts the wing.

TAIL WHEEL



Cut off the film for the vertical fin.



Insert the vertical fin and glue the rudder to the vertical fin .



Install the tail wheel as shown.

RUDDER AND ELEVATOR



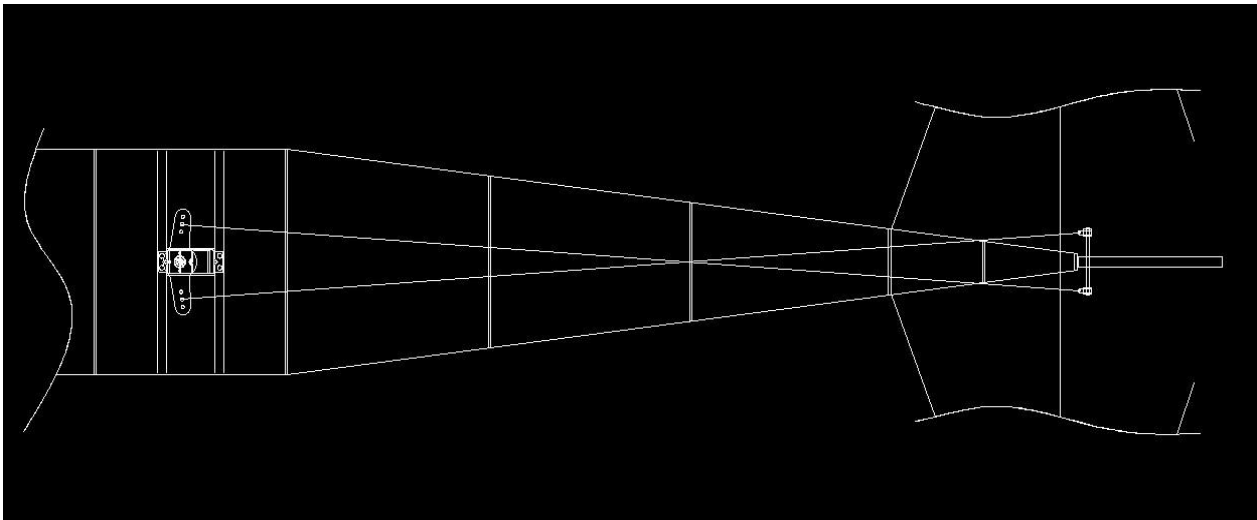
Cut off the film for elevator servo installation.



Adjustable
Tri-horns



Install the elevator servo.
Fixup the adjustable tri-horn
then link the servo and
tri-horn with pushrod.



Install a servo extension onto the elevator servo. Either tie the servo leads together, or use a connector to secure the extension to prevent it from coming loose during flight.

THE MOTOR INSTALLED



Install the motor to the four
adapter and use screws to
lock motor and adapter.

THROTTLE SERVO



Assemble the receiver and receiver battery as shown.

UNDERCARRIAGE



Install two wheels to the undercarriage as shown.



Install the undercarriage to the bottom of the fuselage.



Permanently tighten the axle to the gear strut by wrenches.



Finished photo as shown.

COWLING

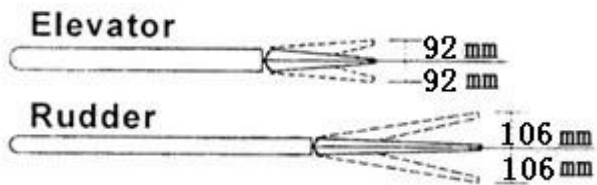


Install the cowling with screws which factory provided.



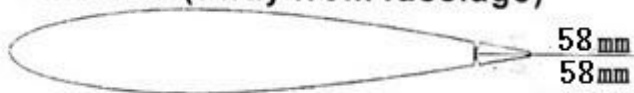
CG POSITION & CONTROL THROWS

Control Throws

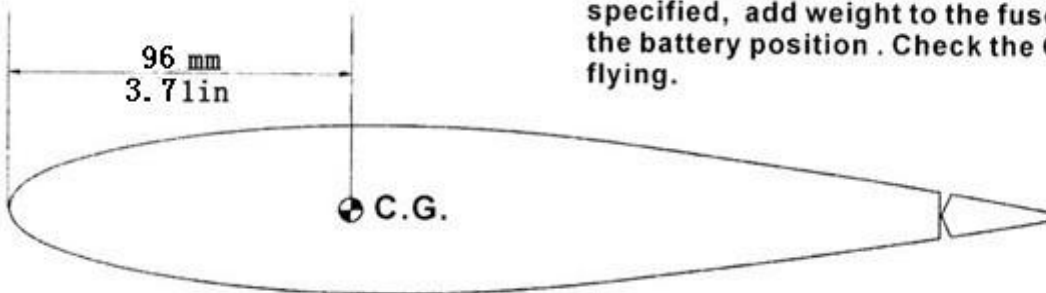


Adjust the control throws as shown in the diagram. These throws are good for general flying. You can adjust according to your personal preference.

Ailerons (away from fuselage)



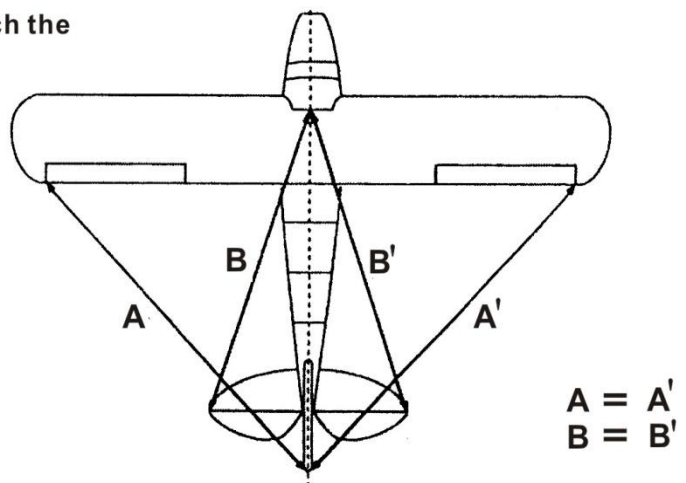
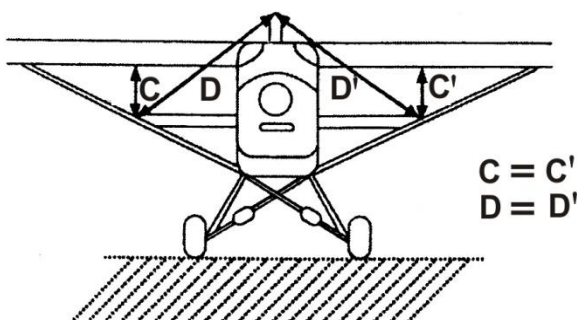
C.G.



The ideal C.G. Position is 107mm (4.21in) behind the leading edge measured at where the wing meets the fuselage. In order to obtain the C.G. specified, add weight to the fuselage or move the battery position. Check the C.G. before flying.

In order to obtain the wing and fuselage configuration as in the diagrams, insert reinforcement plates between the wing and fuselage if necessary.

! Securely attach the main wing.



FINISHED PHOTO



Flight Model CO.,LTD

ADD:No.10,Fu Ning Street,Xian Xi Industrial,Chang An Town,Dong

Guan City,Guang Dong Province,China

Tel: +86-769-85070618 / +86-769-81627996 / +86-769-89790965

Fax: +86-769-85091868

E-mail:info@flight-model.com / flight_model@126.com

Web: <http://www.flight-model.com/product/eindex.asp>

<http://flight-model.preview.alibaba.com/>

Enjoy it

in

